



Box Contents

- (1) Savant 5.5 inch In-Wall Touch Screen
- (1) Installation Kit
 - (1) Mounting Bracket (For standard 1-gang electrical box)
 - (2) Mounting Bracket Screws (6-32 x 1 in.)
- (1) Quick Reference Guide (this document)

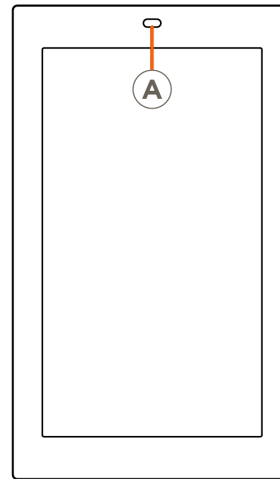
Specifications

Environmental			
Temperature	32° to 104° F (0° to 40°C)		
Humidity	10% to 90% RH (non-condensing)		
Dimensions and Weight (Product)			
Viewing Image (IPS)	5.5 in (137.7 mm)		
Resolution	720 x 1280 16.7M colors		
Height	5.85 in (148.6 mm)		
Width	3.44 in (87.4 mm)		
Depth (overall)	1.33 in (33.8 mm)		
Depth (mounting)	0.56 in (14.2 mm)		
Weight (display only)	0.35 lb (0.16 kg)		
Weight (shipping)	0.75 lb (0.34 kg)		
Standards			
Ethernet	10/100/1000 Gigabit Ethernet Adapter		
Power			
PoE	802.3af compliant		
Power Consumption	Average 4.6W Maximum 5.5W		
Regulatory			
Safety and Emissions	FCC Part 15 Class B	CE	WEEE
RoHS	Compliant		
Minimum Supported Release			
Savant OS	da Vinci 8.4		

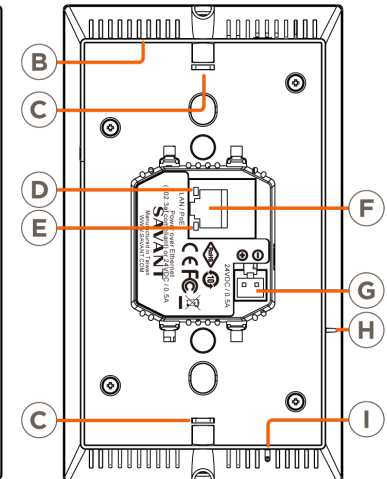
Network Requirements

Savant requires the use of business class/commercial grade network equipment throughout the network to ensure the reliability of communication between devices. These higher quality components also allow for more accurate troubleshooting when needed. Connect all Savant devices to the same local area network (LAN) or subnet as the Host. Savant recommends not implementing any type of traffic or packet shaping in your network topology for the Savant devices as this may interfere with performance.

Front Panel



Rear Panel



A Proximity Sensor	Sensor (proximity) mounted in front panel will wake up the display when movement is detected in front of display.
B Embedded Speaker	For future use
C Mounting Slots	Slots for mounting touch panel to mounting bracket. Insert tabs from the mounting bracket into these slots. Once inserted, secure the touch panel to the bracket using the two captive screws.
D Link LED	Solid Orange - Link is established. Off - No link established
E Link Activity LED	Green Blinking - Indicates data activity. Off - No Activity
F Ethernet	8-pin RJ-45 port: - 10/100/1000 Base-T auto-negotiating port with link and activity LEDs PoE - 802.3af compliant
G Alternate Power Input	Not Used
H Reset Button	- Using a paperclip or similar, press and release Reset button to reset the display.
I Embedded Microphone	For future use

Network Configuration

To ensure that the IP Address will not change due to a power outage, a static IP Address or DHCP reservation should be configured. Savant recommends using DHCP reservation within the router. By using this method, IP Addresses for all devices can be managed from a single UI avoiding the need to access devices individually.

- Using a paper clip or similar, press and release the Reset button on the side of the touch panel (See **Rear Panel** descriptions section). Allow the display to reset and obtain a new IP Address.

Network Changes

If the IP Address range in your network has changed, Savant recommends the following steps to refresh any IP connection and ensure that the display is communicating with the network correctly.

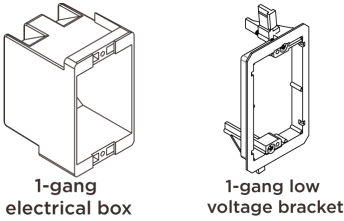
- Reboot the device for the Settings Menu.
Navigate from the Home Screen **Rooms** > > **Reboot**

Mount the Bracket

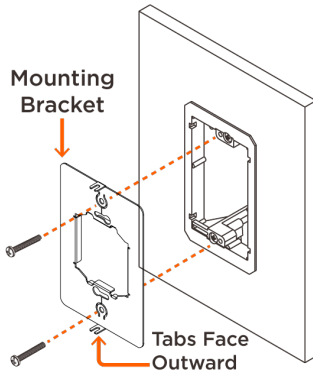
The Savant In-Wall Touch Screen is designed to be mounted using either a standard 1-gang electrical box or low voltage 1-gang bracket.

⚠ IMPORTANT! Box should be oriented using the portrait format (screw holes oriented at top and bottom).

1. Mount a 1-gang standard electrical box or low voltage bracket to an existing wall. Recommended height to center of box is between 57 and 65 inches (145 - 165 cm) above a finished floor.

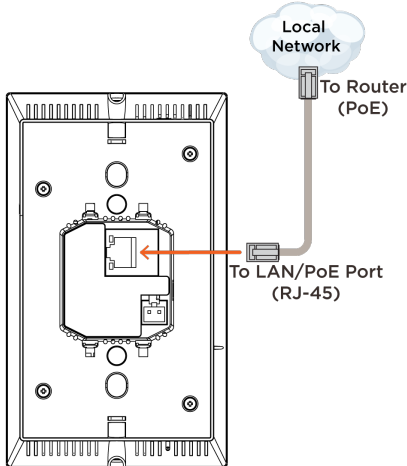


2. Secure the mounting bracket to the electrical box/bracket using the two 6-32 x 1 inch screws provided. Position the touch panel mounting tabs facing outward. See image below.



Make Connections

Connect a Cat 5e/6/7 Ethernet cable (T568A, T568B) to the RJ-45 LAN/PoE port on rear of touch panel. See image below.



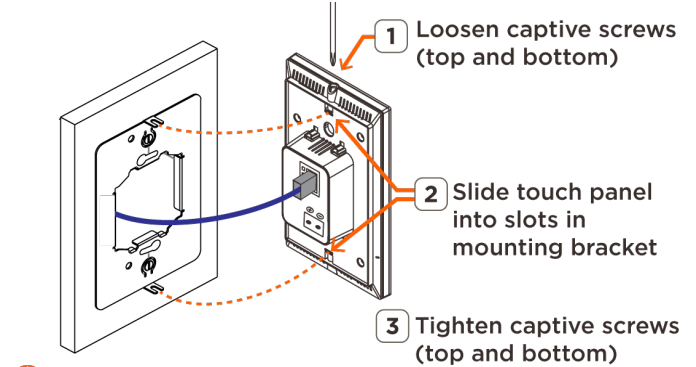
⚠ Important Information!

- The touch screen is powered through the Ethernet cable. An 802.3af compliant PoE network router is required to power the display.
- If a PoE network router is not available, a PoE network injector can be used.

Secure Panel to Bracket

Once cables are connected to rear of touch panel, the panel can be secured to the mounting bracket installed earlier.

1. Loosen the captive screws on the top and bottom of the touch panel a few turns to allow the panel to slide into the mounting bracket.
2. Insert the touch panel into the mounting bracket. Ensure the tabs on the mounting bracket are inserted into the appropriate slots in the touch panel.
3. Tighten the two captive screws to secure the touch panel to the mounting bracket.



📌 TIP! When installing, the proximity sensor located on the front of the display should be positioned towards the top.

Apply Power

The ITP-E5500 is powered through the Cat 5e/6/7 Ethernet cable. Plug the opposite end of Ethernet cable into the network router (PoE enabled). Connecting the Ethernet cable will power-on the touch panel and an IP Address automatically gets assigned through DHCP.

Once the touch panel is powered and an IP address is assigned, it can be added to a RacePoint Blueprint configuration. Refer to the **Savant 5.5in. In-Wall Touch Screen Deployment Guide (009-1475-xx)** available on the **Savant Customer Community**.

Regulatory

15.19. This device complies with part 15 of the FCC Rules. Operation is subject to the following two conditions: (1) This device may not cause harmful interference, and (2) this device must accept any interference received, including interferences that may cause undesired operation.

15.21. The changes or modifications not expressly approved by the party responsible for compliance could void the user's authority to operate the equipment.

15.105. This equipment has been tested and found to comply with the limits for CLASS B digital device, pursuant to Part 15 of FCC Rules. These limits are designed to provide reasonable protection against harmful interference when the equipment is operated in a residential environment. This equipment generates, uses and can radiate radio frequency energy and, if not installed and used in accordance with the instructions, may cause harmful interference to radio communications. However there is no guarantee that interference will not occur in a particular installation. If this equipment does cause harmful interference to radio or television reception, which can be determined by turning the equipment off and on, the user is encouraged to try to correct the interference by one or more of the following measures:

- Reorient or relocate the receiving circuit different from that to which receiver is connected.
- Increase the separation between the equipment and the receiver.
- Consult the dealer or experienced radio/TV technician for help.

IC Regulations

RSS-Gen 7.1.3. This device complies with Industry Canada license-exempt RSS standard(s). Operation is subject to the following two conditions: (1) This device may not cause interference, and (2) This device must accept any interference, including interference that may cause undesired operation of the device.

RSS-21- Annexe 9: A 9.4. Le présent appareil est conforme aux CNR d'Industrie Canada applicables aux appareils radio exempts de licence. L'exploitation est autorisée aux deux conditions suivantes: (1) l'appareil ne doit pas produire de brouillage, et (2) l'utilisateur de l'appareil doit accepter tout brouillage radioélectrique subi, même si le brouillage est susceptible d'en compromettre le fonctionnement.

Additional Information

- Savant 5.5in. In-Wall Touch Screen Deployment Guide (009-1475-xx)