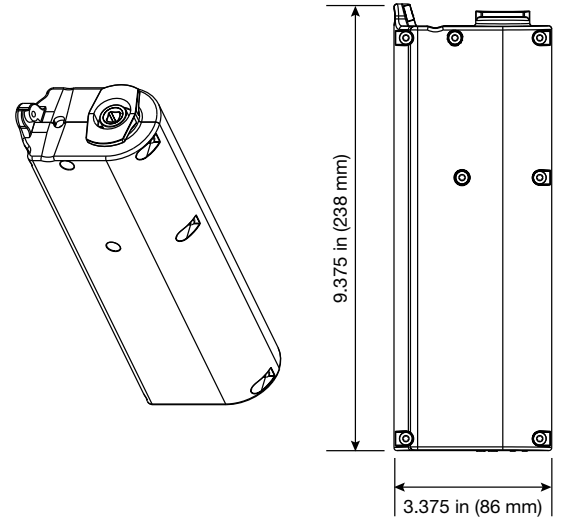


Sivoia QS | D175 Drapery Electronic Drive Unit (EDU)

The Lutron D175 Drapery Electronic Drive Unit is precision-controlled and capable of operating draperies weighing up to 175 lbs (79 kg).

Features

- Drapery operation will not exceed 50 dBA measured 3 ft (1 m) from the EDU
- Compatible with Sivoia QS Wireless and Sivoia QS operating types
- Smooth, silent starts and stops
- 35 V_{AC} low-voltage power
- Power failure memory for the lifetime of the product
- Available individually and in cartons of 10



Sivoia QS D175 Drapery Electronic Drive Unit
Model QSSC-EDU-D175

Related Components

Track Hardware	Pinchpleat Hardware	Ripplefold Hardware	Wall Brackets	Ceiling Brackets
SQD-IDL-KIT6	SQD-HOOK-200	SQD-R-C100-1000	SQD-WB-50	SQD-CB-50
SQD-TRK-6	SQD-C-A-200	SQD-R-C120-1000	SQD-DWB-50	
SQD-RALBX-KIT6	SQD-C-BTM-KIT6	SQD-R-C80-1000		
SQD-BELT-350	SQD-C-LLM-KIT6	SQD-R-CDM-KIT6		
	SQD-C-LRM-KIT6	SQD-R-SDM-KIT6		
	SQD-C-SLM-KIT6	SQD-BELTMSR-RC		
	SQD-C-SRM-KIT6	SQD-BELTMSR-RS		
	SQD-C-BLM-KIT6	SQD-R-P-250		
	SQD-C-BRM-KIT6	SQD-R-MB-6		
		SQD-R-BELTATT		

Job Name:	Model Numbers:
Job Number:	

Specifications

Power

- Power must be derived from a Lutron approved NEC® Class 2 power source
- Operating Voltage: Low-voltage Class 2, 35 V== power supply required
- Control system power supply offers (spike and brownout) overvoltage protection (+/- 10% of line voltage) for all devices in the system
- Power supply provides appropriate Electro Static Discharge (ESD) protection for all devices in the system

Operating Parameters

- Maximum Torque: 11.6 in-lbs (1.31 N•m)
- Maximum Power: 45 W
- Speed: 86.0 RPM
- Temperature Range: 32 to 104 °F (0 to 40 °C)
- Humidity: 0% -90% non-condensing

Performance

- EDU stores presets positioned at any stop point along the shade’s travel, as well as full open and full close shade limits
- EDU is capable of stopping with the accuracy of 0.125 in (3 mm) steps over the entire travel distance of the drapery
- Preset positions can be located at any point between the open/close limits, and are adjustable with a 5-second button push and hold from seeTouch QS keypads or GRAFIK Eye QS
- Limits are programmable and adjustable from the EDU’s on-board controls, seeTouch QS keypads and/or GRAFIK Eye QS

Warranty

- Limited Warranty: www.lutron.com/warranty or call 1.844.LUTRON1 (USA/Canada) or +1.610.282.3800 (Others) for a printed copy

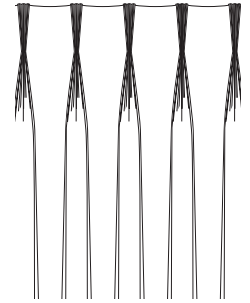
<p>Job Name:</p> <p>Job Number:</p>	<p>Model Numbers:</p>
--	-----------------------

System Capacity

D175: Pinch Pleat Capacity

Use this table to determine the maximum drapery panel size the *D175* drapery system can operate, based on height and weight.

Sivoia QS D175 pinch pleat system capacity			
System width	Straight track	Curved track, 1 bend	Curved track, 2 bends
24 in to 32 in (610 mm to 813 mm)	20 lbs (9.1 kg)	N/A	N/A
32 in to 44 in (813 mm to 1118 mm)	30 lbs (13.6 kg)	30 lbs (13.6 kg)	N/A
44 in to 56 in (1118 mm to 1422 mm)	40 lbs (18.1 kg)	40 lbs (18.1 kg)	N/A
56 in to 68 in (1422 mm to 1727 mm)	55 lbs (24.9 kg)	55 lbs (24.9 kg)	55 lbs (24.9 kg)
68 in to 84 in (1727 mm to 2134 mm)	65 lbs (29.5 kg)	65 lbs (29.5 kg)	65 lbs (29.5 kg)
84 in to 108 in (2134 mm to 2743 mm)	80 lbs (36.3 kg)	80 lbs (36.3 kg)	70 lbs (31.8 kg)
108 in to 132 in (2743 mm to 3353 mm)	105 lbs (47.6 kg)	105 lbs (47.6 kg)	80 lbs (36.3 kg)
132 in to 168 in (3353 mm to 4267 mm)	130 lbs (59.0 kg)	120 lbs (54.4 kg)	85 lbs (38.6 kg)
168 in to 216 in (4267 mm to 5486 mm)	165 lbs (74.8 kg)	125 lbs (56.7 kg)	90 lbs (40.8 kg)
216 in to 252 in (5486 mm to 6401 mm)	175 lbs (79.4 kg)	130 lbs (59.0 kg)	95 lbs (43.1 kg)
252 in to 288 in (6401 mm to 7315 mm)	165 lbs (74.8 kg)	135 lbs (61.2 kg)	95 lbs (43.1 kg)
288 in to 324 in (7315 mm to 8230 mm)	155 lbs (70.3 kg)	135 lbs (61.2 kg)	90 lbs (40.8 kg)
324 in to 360 in (8230 mm to 9144 mm)	145 lbs (65.8 kg)	135 lbs (61.2 kg)	90 lbs (40.8 kg)
360 in to 396 in (9144 mm to 10058 mm)	130 lbs (59.0 kg)	Contact Lutron	Contact Lutron
396 in to 432 in (10058 mm to 10973 mm)	125 lbs (56.7 kg)	Contact Lutron	Contact Lutron
432 in to 468 in (10973 mm to 11887 mm)	115 lbs (52.2 kg)	Contact Lutron	Contact Lutron
468 in to 500 in (11887 mm to 12700 mm)	110 lbs (49.9 kg)	Contact Lutron	Contact Lutron



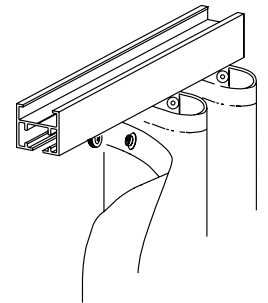
Notes:

- Pinch pleat fullness of 3:1 is allowable for sheer drapes only. All other drapes must have a fullness of no greater than 2.5:1
- Curved radius to be 20 in (0.5 m) or greater. For curved track applications, see Lutron document 368-6554 for curved drapery track guidelines

D175: Ripplefold Capacity

Use this table to determine the maximum drapery panel size the *D175* drapery system can operate, based on height and weight.

Sivoia QS D175 ripplefold system capacity	
System width	Straight track
24 in to 32 in (610 mm to 813 mm)	30 lbs (13.6 kg)
32 in to 44 in (813 mm to 1118 mm)	40 lbs (18.1 kg)
44 in to 56 in (1118 mm to 1422 mm)	55 lbs (24.9 kg)
56 in to 68 in (1422 mm to 1727 mm)	70 lbs (31.8 kg)
68 in to 84 in (1727 mm to 2134 mm)	85 lbs (38.6 kg)
84 in to 108 in (2134 mm to 2743 mm)	105 lbs (47.6 kg)
108 in to 132 in (2743 mm to 3353 mm)	140 lbs (63.5 kg)
132 in to 168 in (3353 mm to 4267 mm)	165 lbs (74.8 kg)
168 in to 216 in (4267 mm to 5486 mm)	155 lbs (70.3 kg)
216 in to 252 in (5486 mm to 6401 mm)	130 lbs (59.0 kg)
252 in to 288 in (6401 mm to 7315 mm)	100 lbs (45.4 kg)
288 in to 324 in (7315 mm to 8230 mm)	55 lbs (24.9 kg)
324 in to 360 in (8230 mm to 9144 mm)	50 lbs (22.7 kg) for 80%
	50 lbs (22.7 kg) for 100%
	N/A (capacity limit) for 120%



Note: Ripplefold is available in three fullness factors: 80%, 100%, 120%

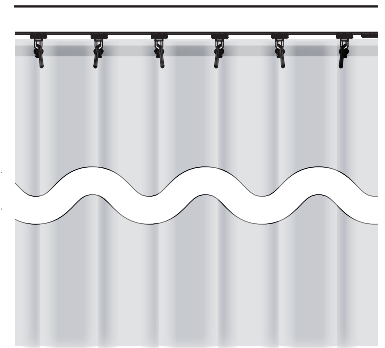
Job Name:	Model Numbers:
Job Number:	

System Capacity

D175: S-Fold Capacity (for regions excluding the US and Canada)

Use this table to determine the maximum drapery panel size the D175 drapery system can operate, based on width and weight.

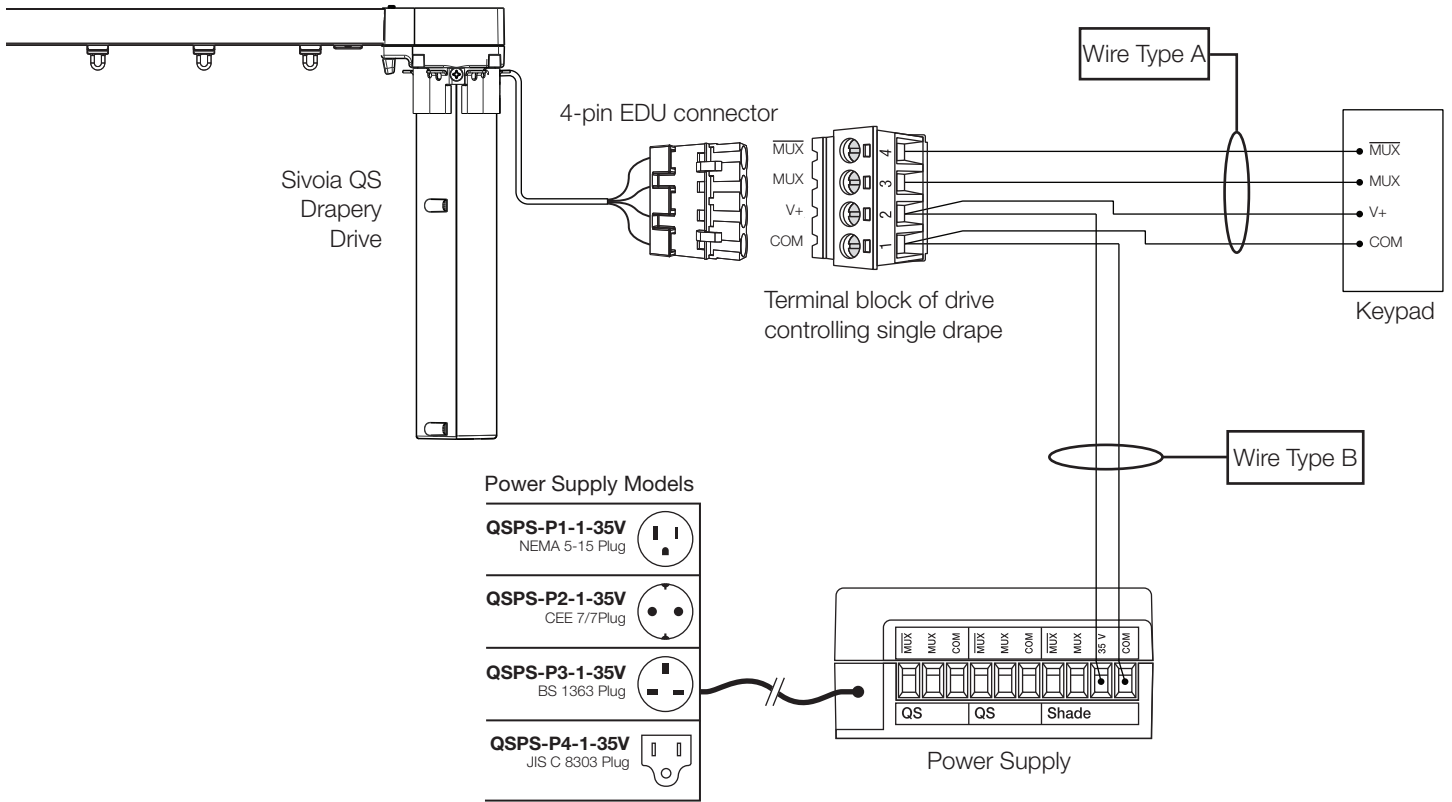
D175 S-Fold system capacity	
System width	Straight track
24 in to 32 in (610 mm to 813 mm)	30 lbs (13.6 kg)
32 in to 44 in (813 mm to 1118 mm)	40 lbs (18.1 kg)
44 in to 56 in (1118 mm to 1422 mm)	55 lbs (24.9 kg)
56 in to 68 in (1422 mm to 1727 mm)	70 lbs (31.8 kg)
68 in to 84 in (1727 mm to 2134 mm)	85 lbs (38.6 kg)
84 in to 108 in (2134 mm to 2743 mm)	105 lbs (47.6 kg)
108 in to 132 in (2743 mm to 3353 mm)	140 lbs (63.5 kg)
132 in to 168 in (3353 mm to 4267 mm)	165 lbs (74.8 kg)
168 in to 216 in (4267 mm to 5486 mm)	155 lbs (70.3 kg)
216 in to 252 in (5486 mm to 6401 mm)	130 lbs (59.0 kg)
252 in to 288 in (6401 mm to 7315 mm)	100 lbs (45.4 kg)
288 in to 324 in (7315 mm to 8230 mm)	55 lbs (24.9 kg)
324 in to 360 in (8230 mm to 9144 mm)	50 lbs (22.7 kg)



Note: S-Fold is available in two spacing options: 2 in (60 mm) and 3 in (80 mm)

Job Name:	Model Numbers:
Job Number:	

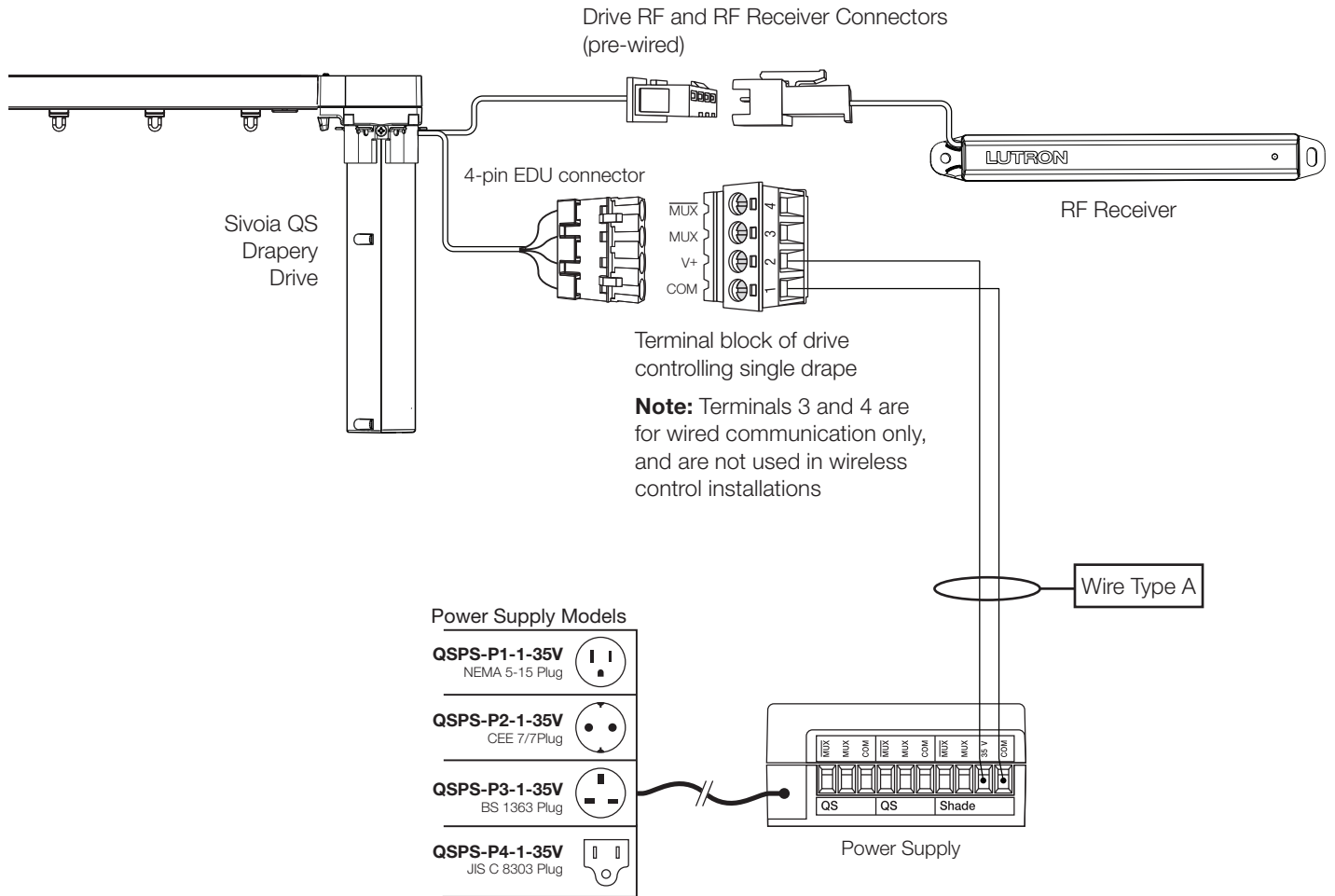
Sivoia QS | Single Drive Wiring



Wiring types	Purpose	Wire options
A	Keypad power and COM	18-22 AWG (1.0-0.5 mm ²) - 250 ft (75 m) max (MUX/MUX twisted pair, shielded) Lutron P/N GRX-CBL-346S-500
B	Drive power (power supply to drive)	12 AWG (4.0 mm ²) - 250 ft (75 m) max 16 AWG (1.5 mm ²) - 100 ft (30 m) max Lutron P/N QSHY-CBL-M-1000, non-plenum Lutron P/N QSHY-CBLP-M-1000, plenum 18 AWG (1.0 mm ²) - 50 ft (17 m) max

Job Name:	Model Numbers:
Job Number:	

Sivoia QS Wireless | Single Drive Wiring



Wiring type	Purpose	Wire options
A	Drive power (power supply to drive)	12 AWG (4.0 mm ²) - 250 ft (75 m) max 16 AWG (1.5 mm ²) - 100 ft (30 m) max Lutron P/N QSHY-CBL-M-1000, non-plenum Lutron P/N QSHY-CBLP-M-1000, plenum 18 AWG (1.0 mm ²) - 50 ft (17 m) max

Lutron, GRAFIK Eye, seeTouch, Sivoia QS, and any related trade dress and logos are trademarks or registered trademarks of Lutron Electronics Co., Inc. in the US and/or other countries.

Job Name:	Model Numbers:
Job Number:	