

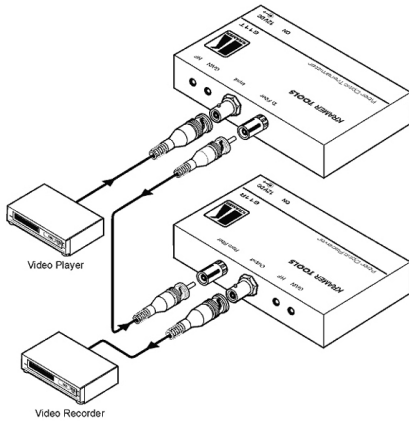


611R

FIBER OPTIC VIDEO RECEIVER



The 611T and 611R are a high performance fiber optic transmitter and receiver for composite video signals. The 611T transmitter converts a composite video signal into a fiber optic signal and the 611T receiver will convert the fiber optic signal back into a composite video signal.



DESCRIPTION

- Bandwidth - 55MHz (-3db).
- Level (Gain) and EQ (Peaking) Controls (611T & 611R).
- Multi-Mode - 5km (3.1 miles).
- Compact Size - Part of the Kramer TOOLS™ family of compact, high quality and cost effective solutions.

SPECIFICATIONS

INPUT:	Optic Fiber ST connector.
OUTPUT:	Composite Video 1Vpp/75Ω on a BNC connector.
OPERATION DISTANCE:	Up to 5km (MultiMode).
VIDEO BANDWIDTH (-3DB):	55 MHz. 20 MHz.
DIFF. GAIN:	0.4%.
VIDEO S/N RATIO:	60 dB.
NON-LINEARITY:	0.6%.
POWER SOURCE:	12 VDC 80mA.
DIMENSIONS:	12cm x 7.5cm x 2.5cm (4.7" x 2.95" x 0.98", W. D. H.)
WEIGHT:	0.27 kg. (0.59 lbs.) approx.
ACCESSORIES:	Power supply, mounting bracket.
OPTIONS:	RK-T1, RK-T3, 19" rack adapters.